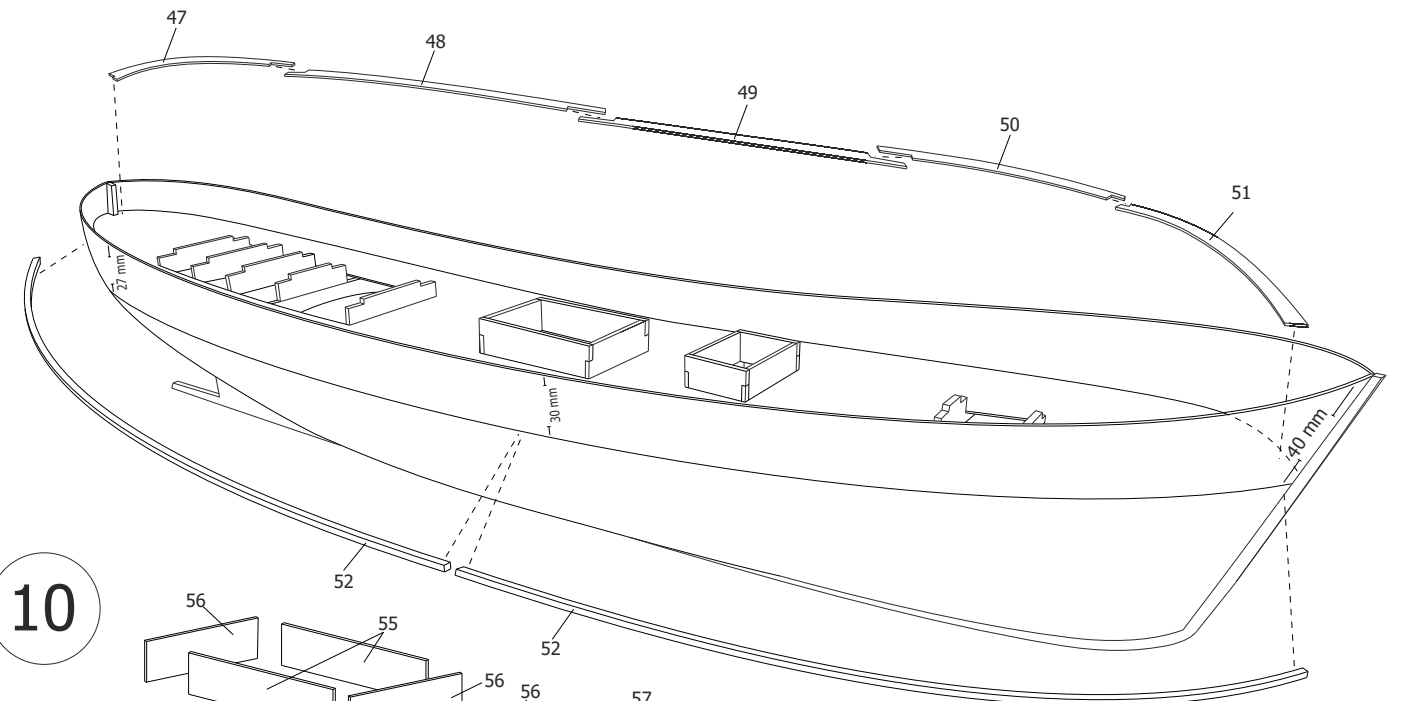
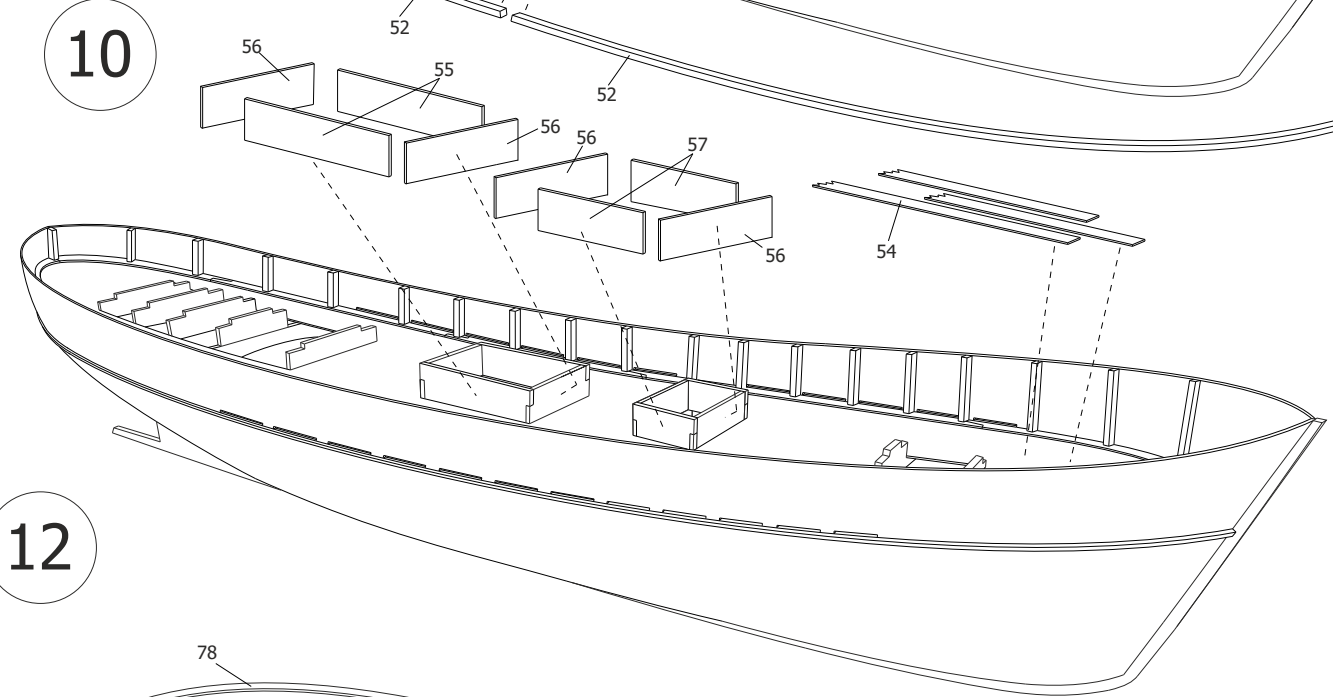


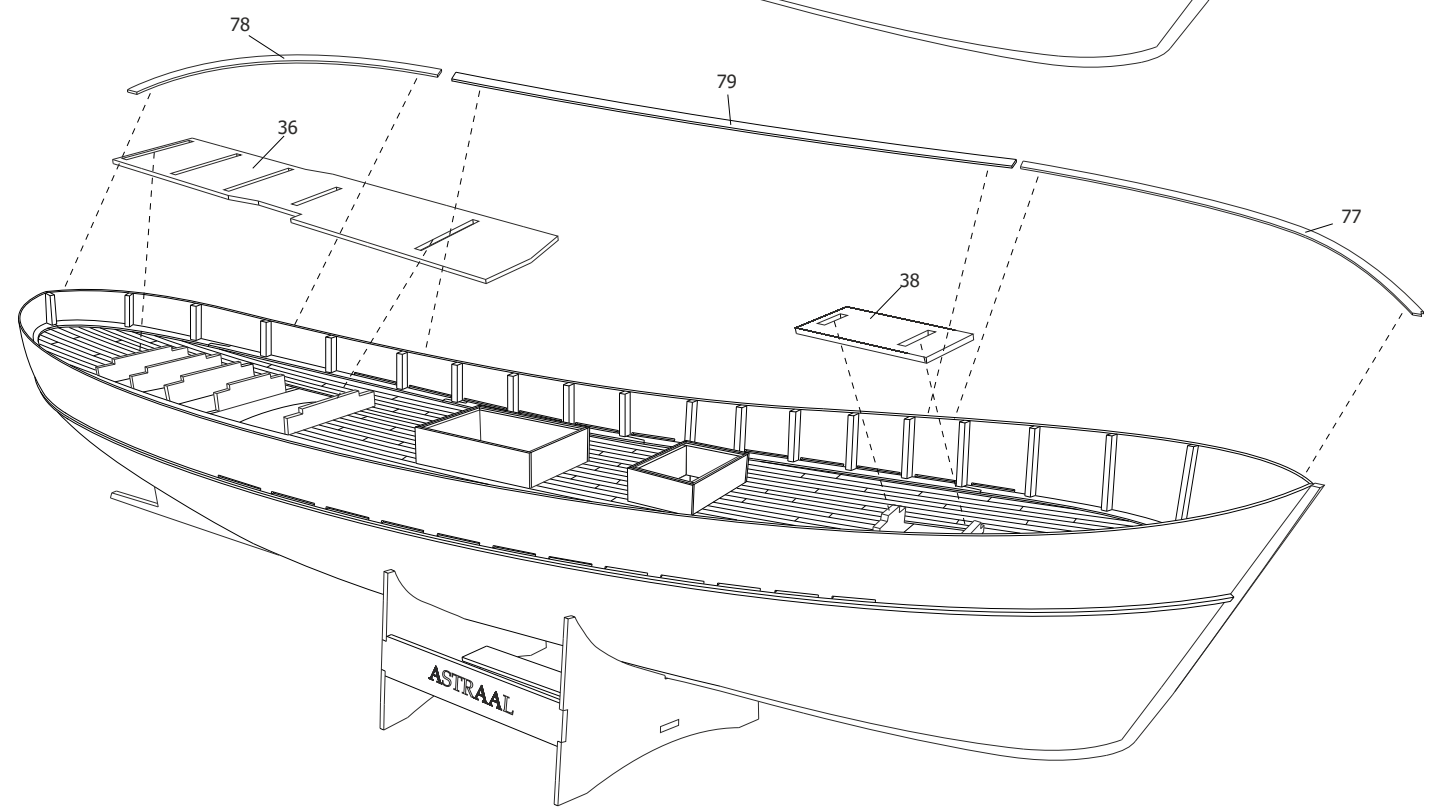
8



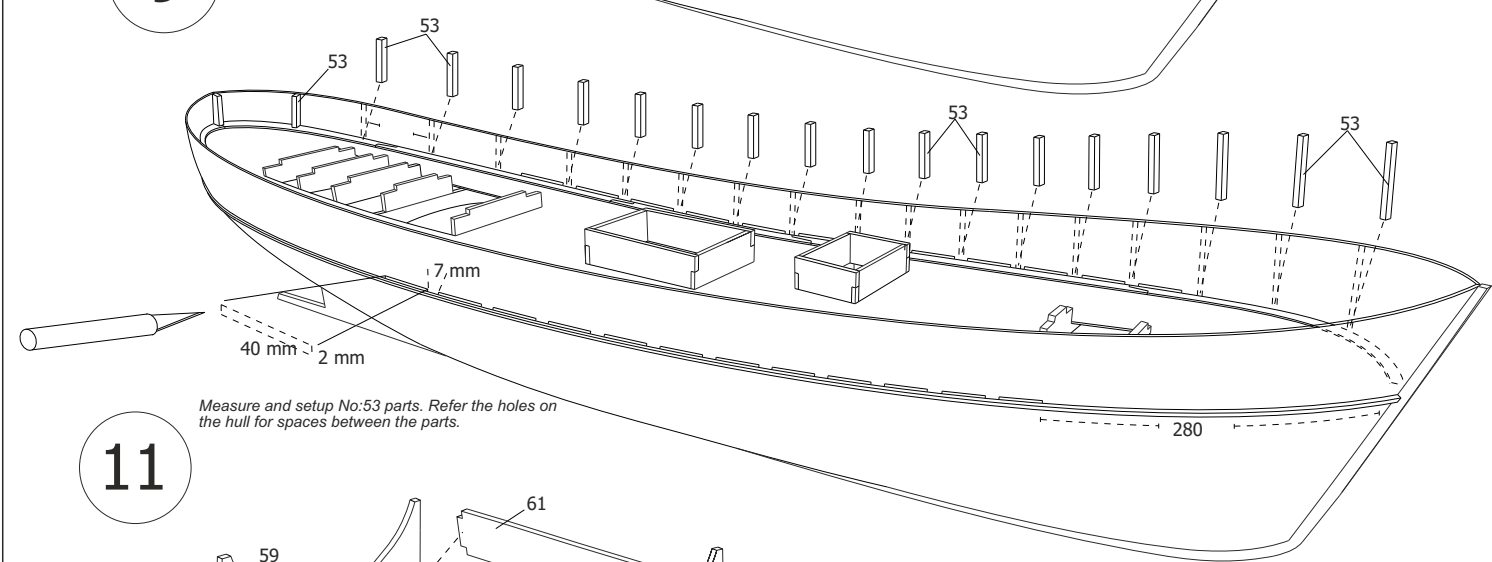
10



12

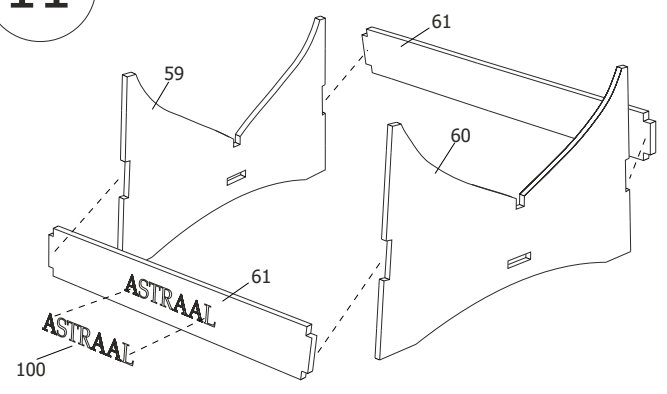


9

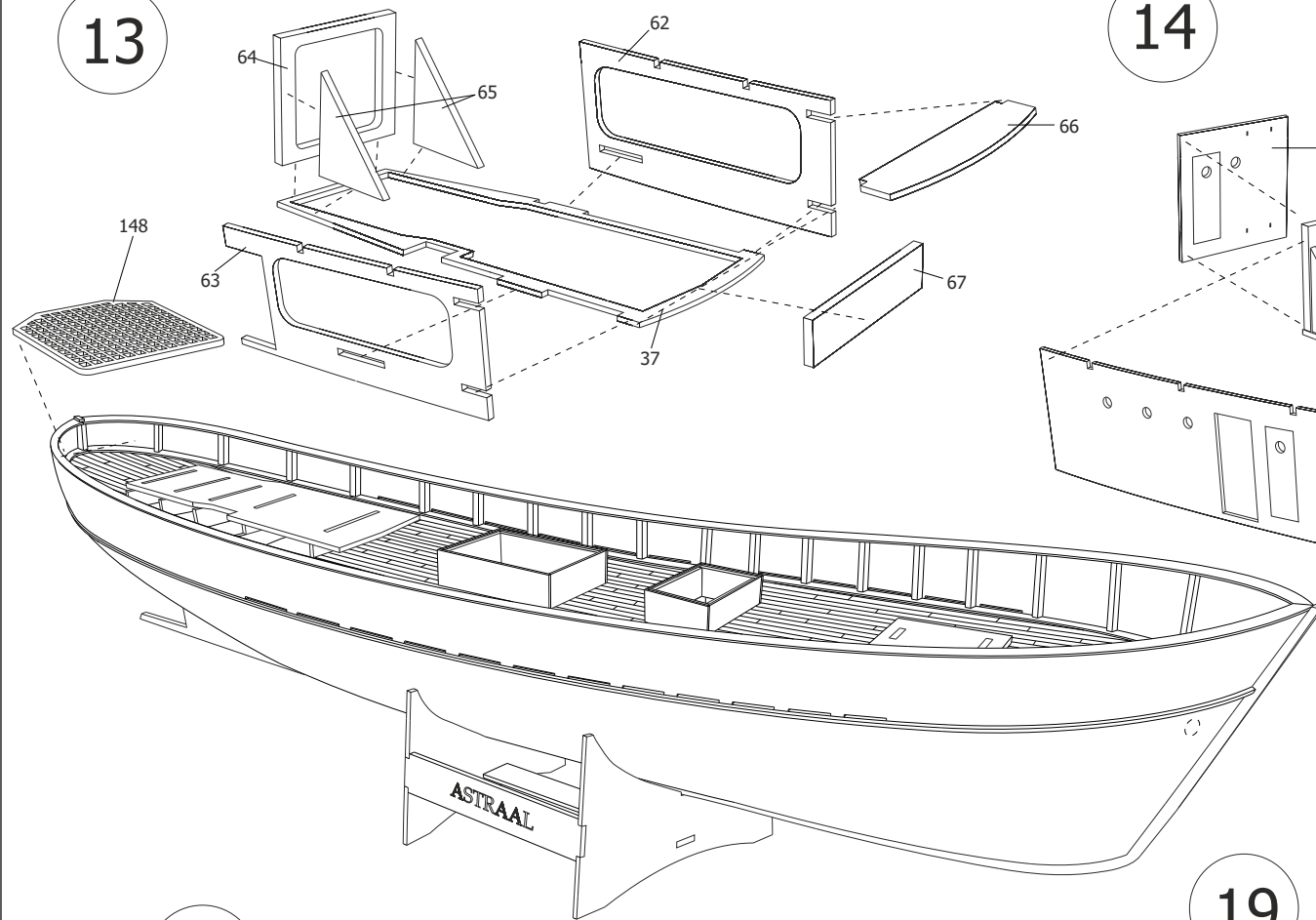


Measure and setup No:53 parts. Refer the holes on the hull for spaces between the parts.

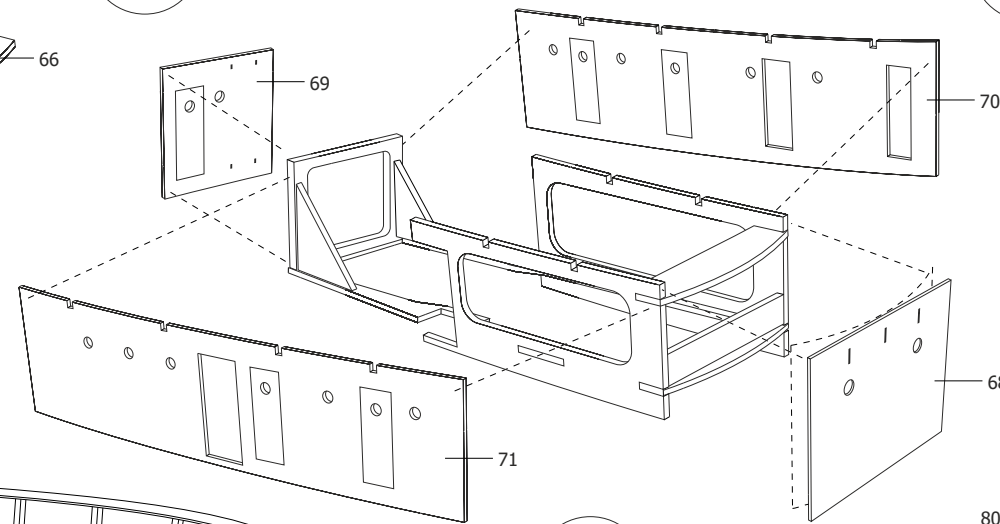
11



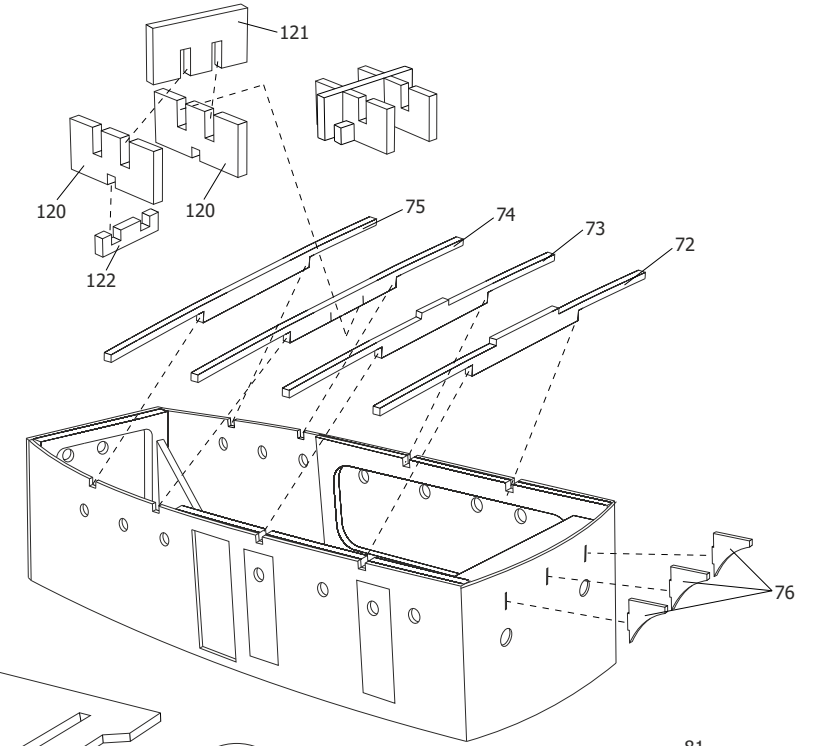
13



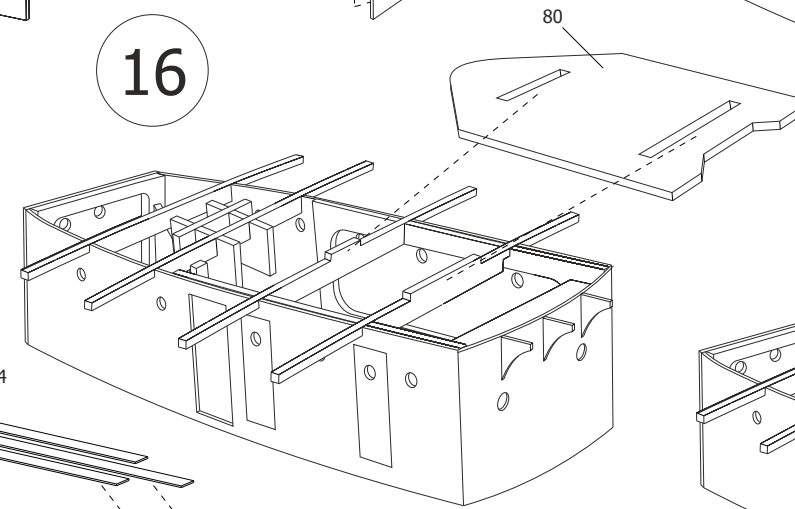
14



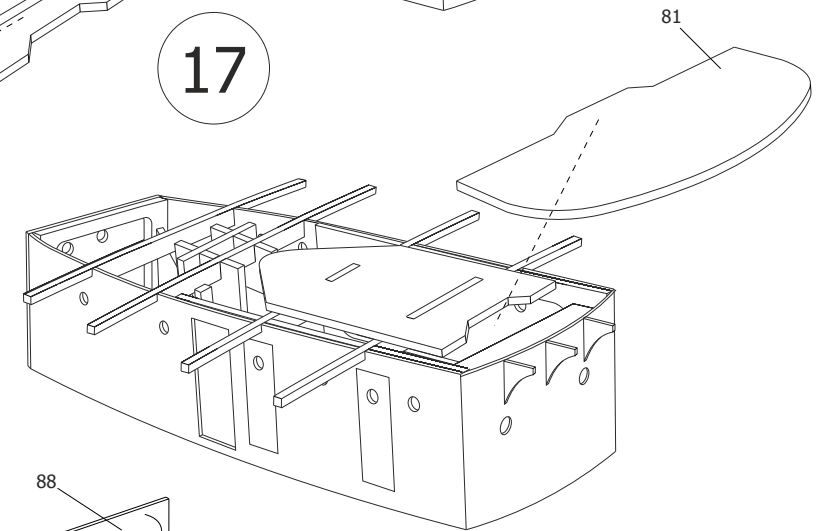
15



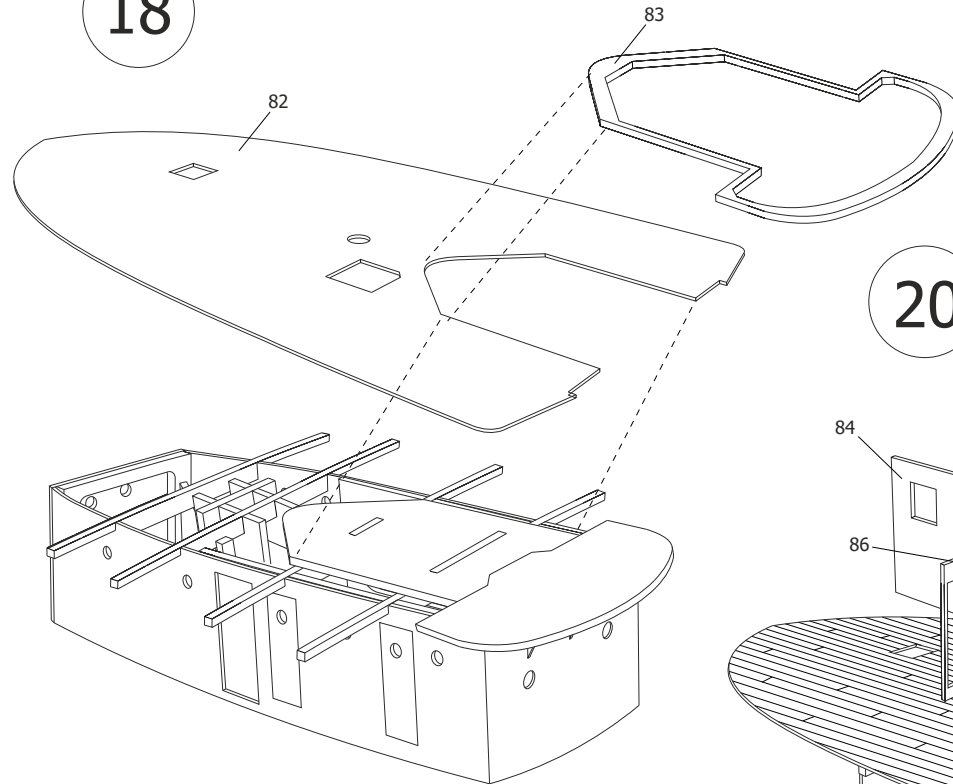
16



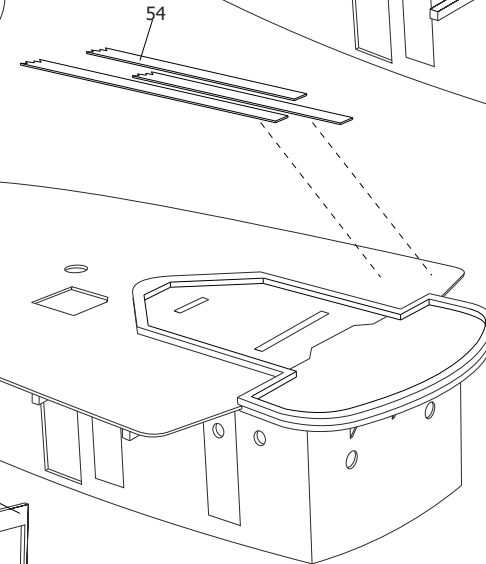
17



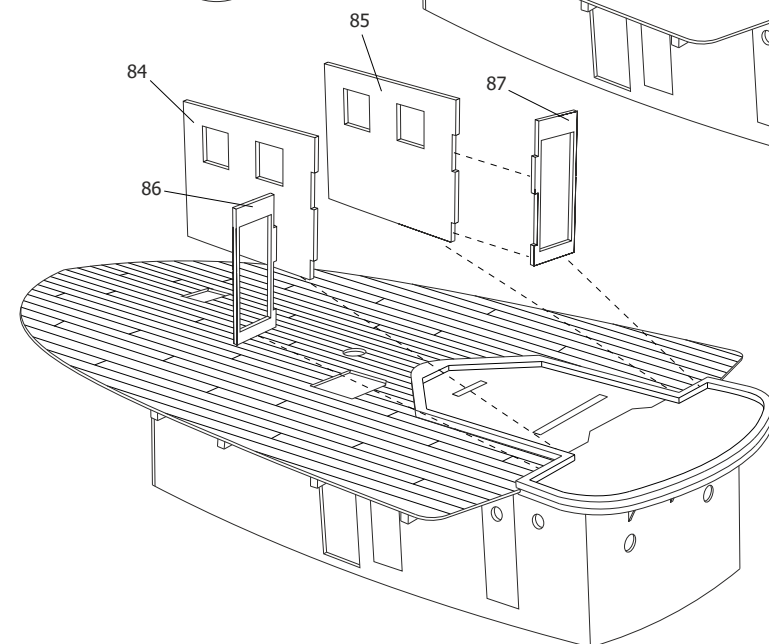
18



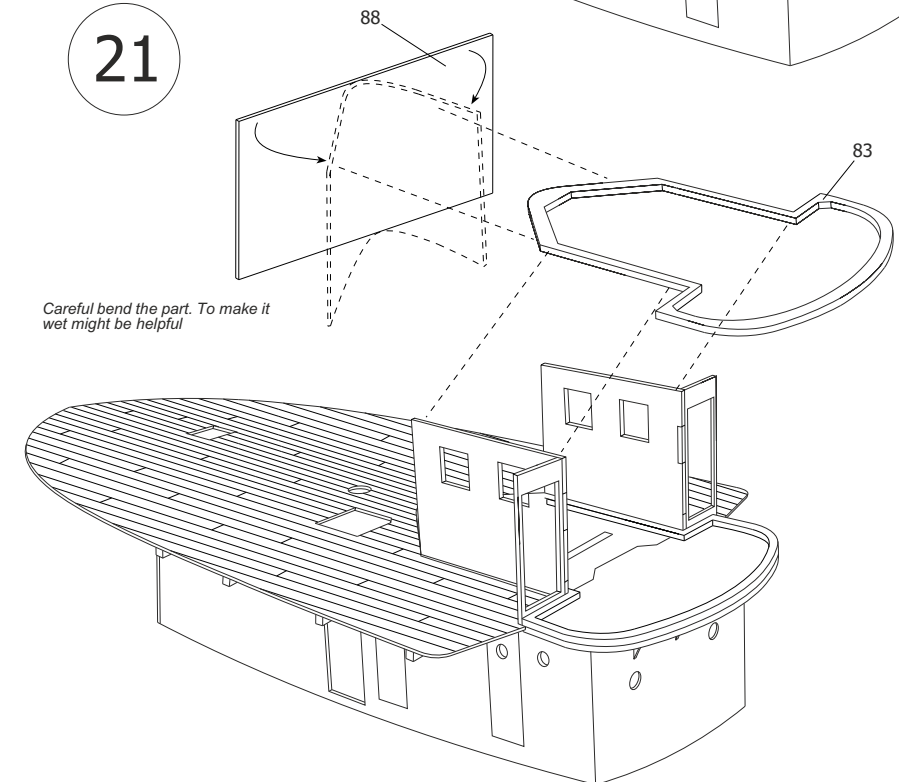
19



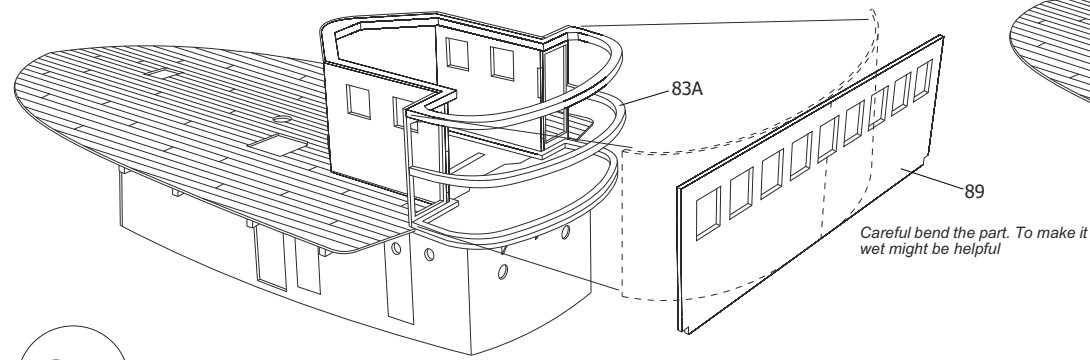
20



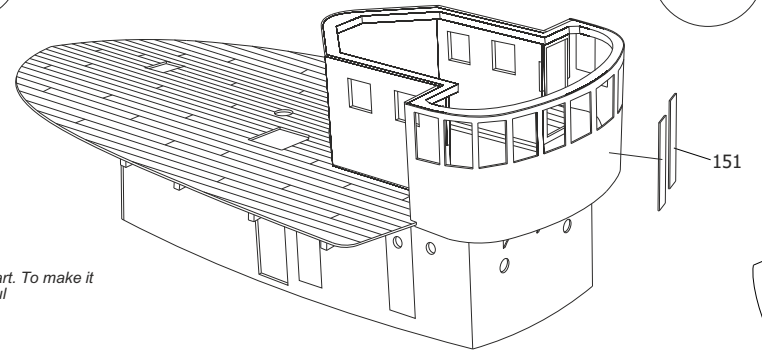
21



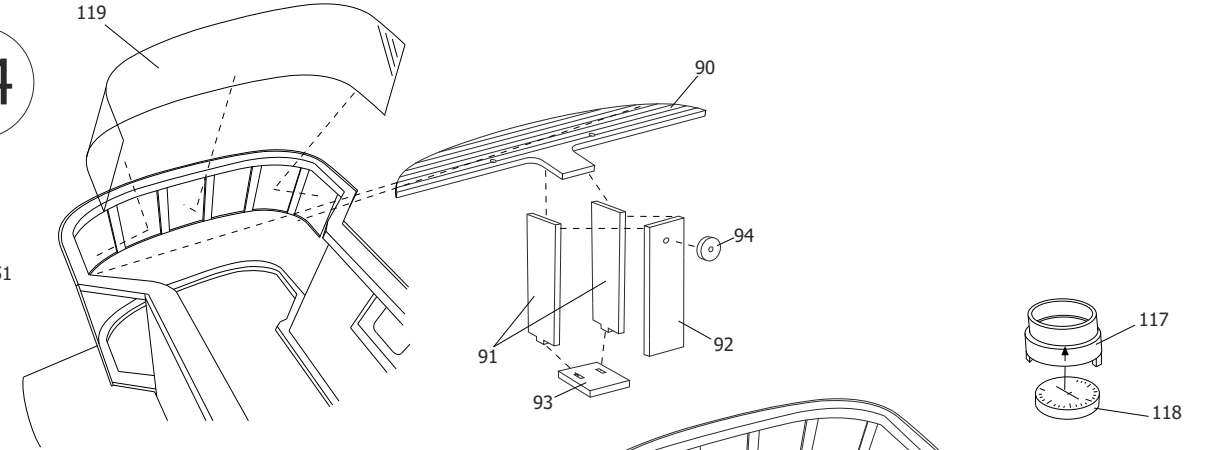
22



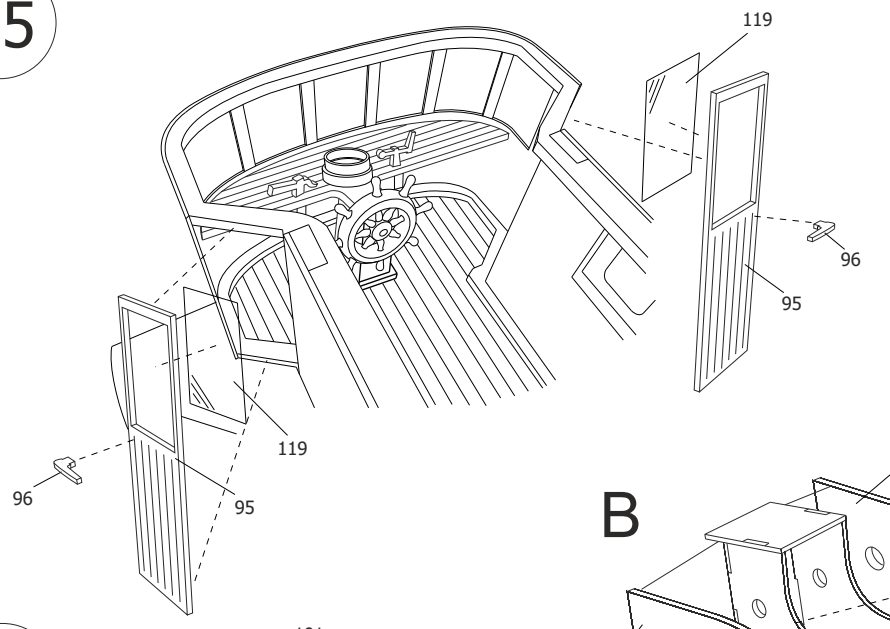
23



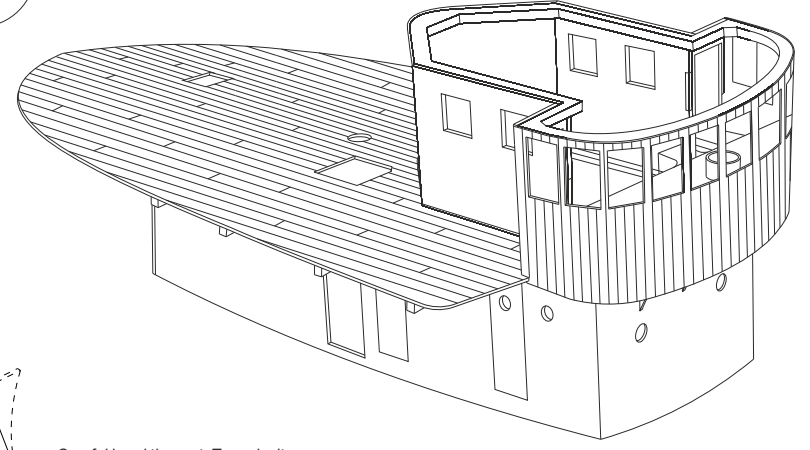
24



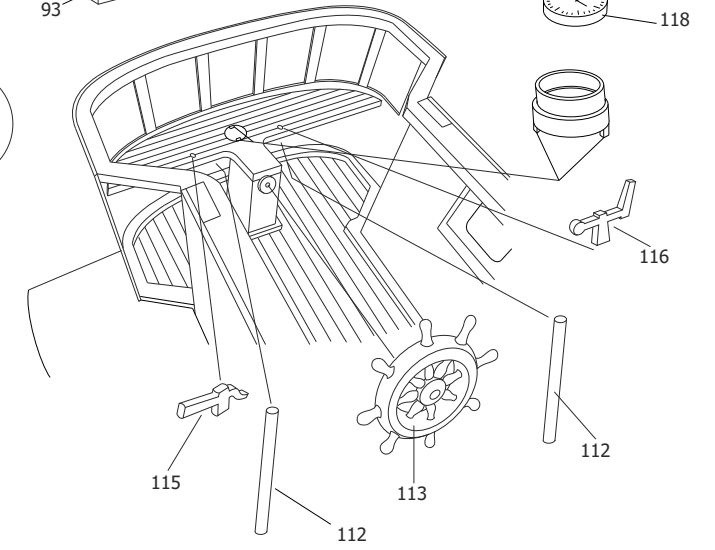
25



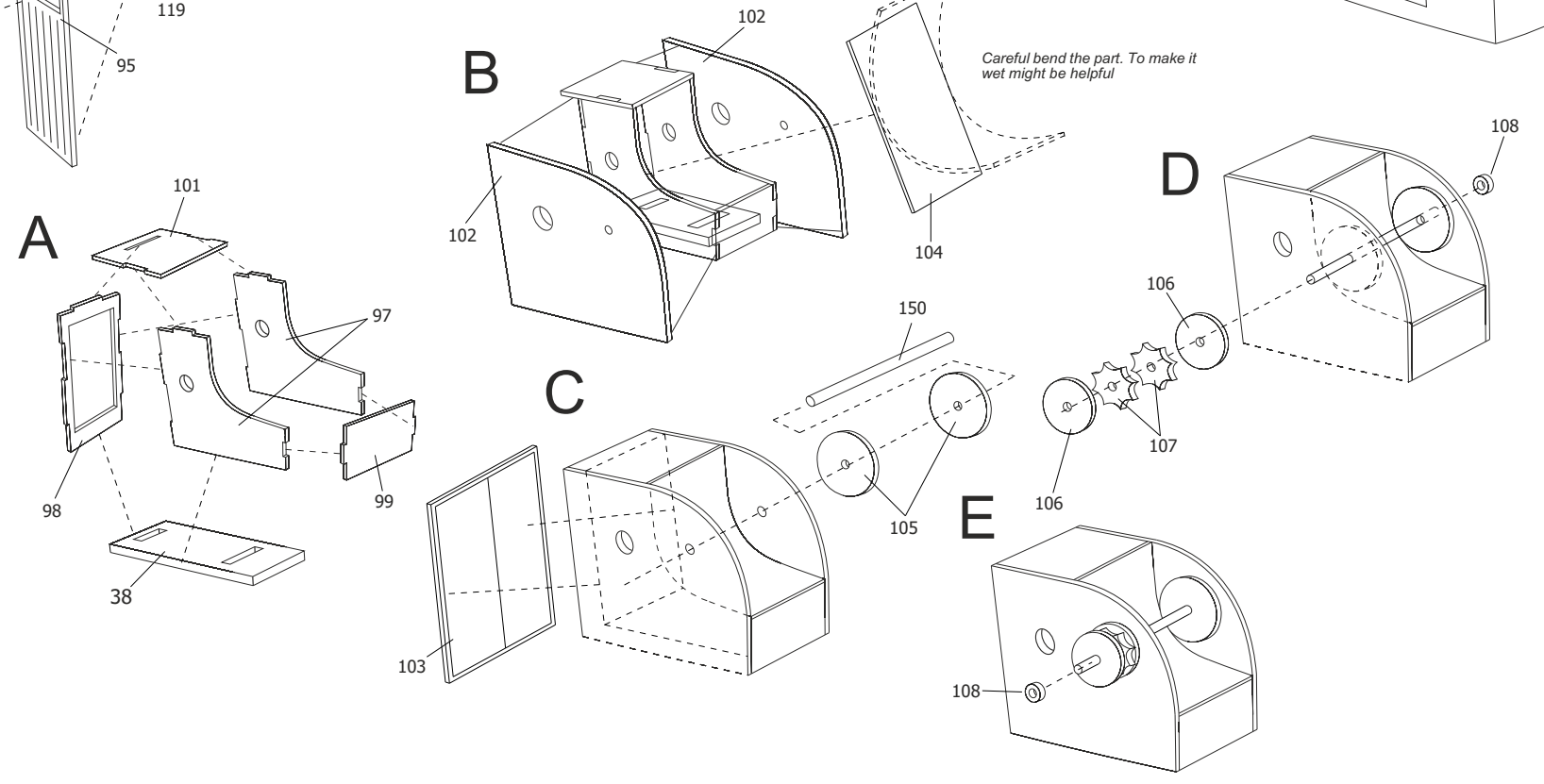
26



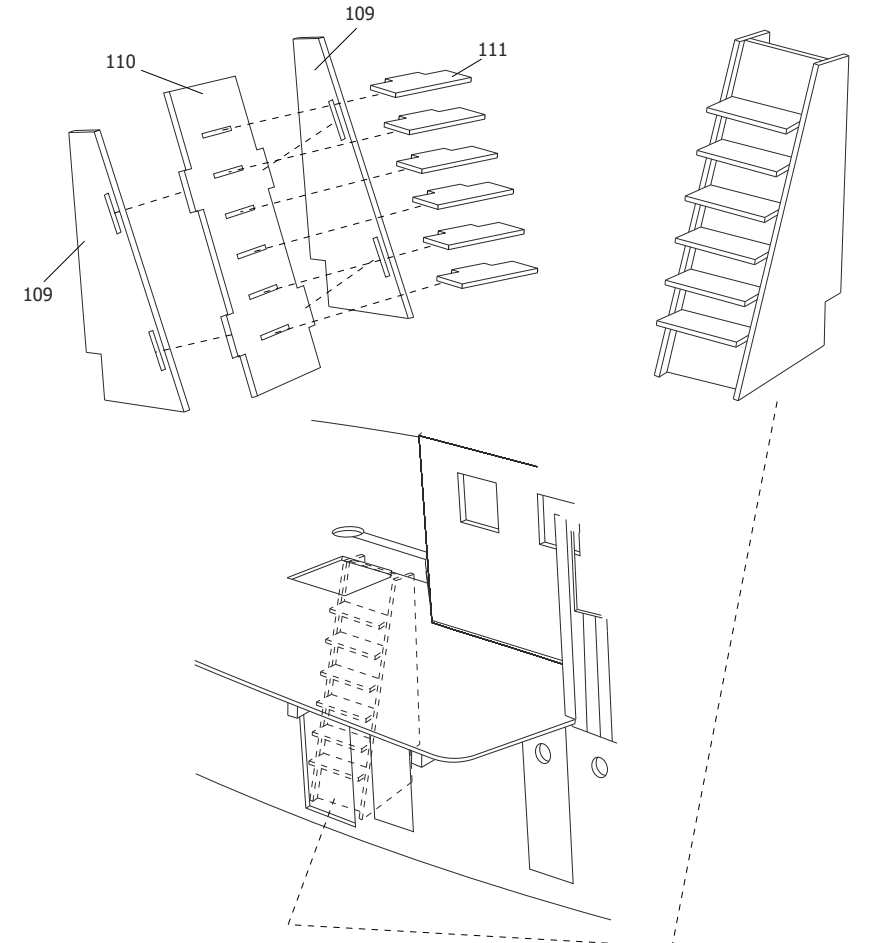
27



28

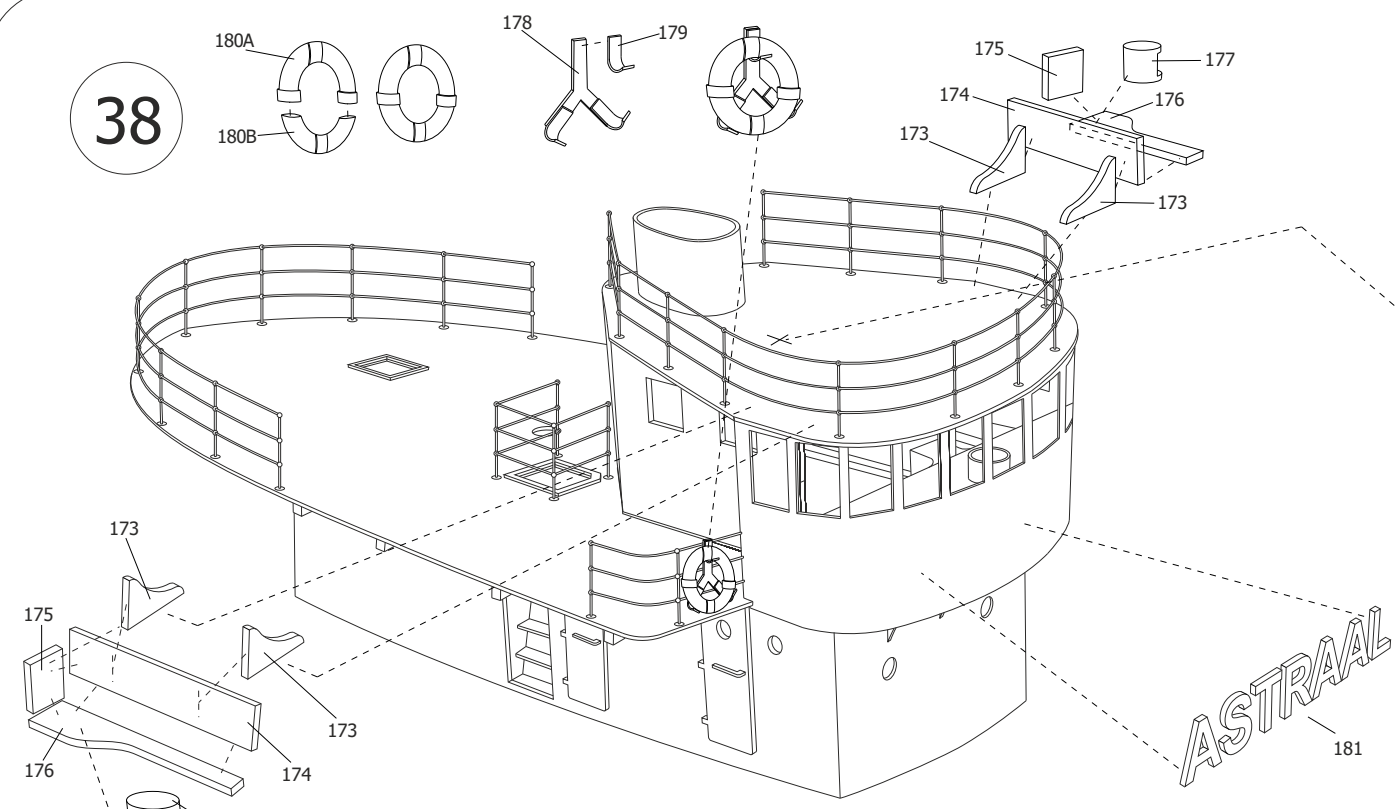


29

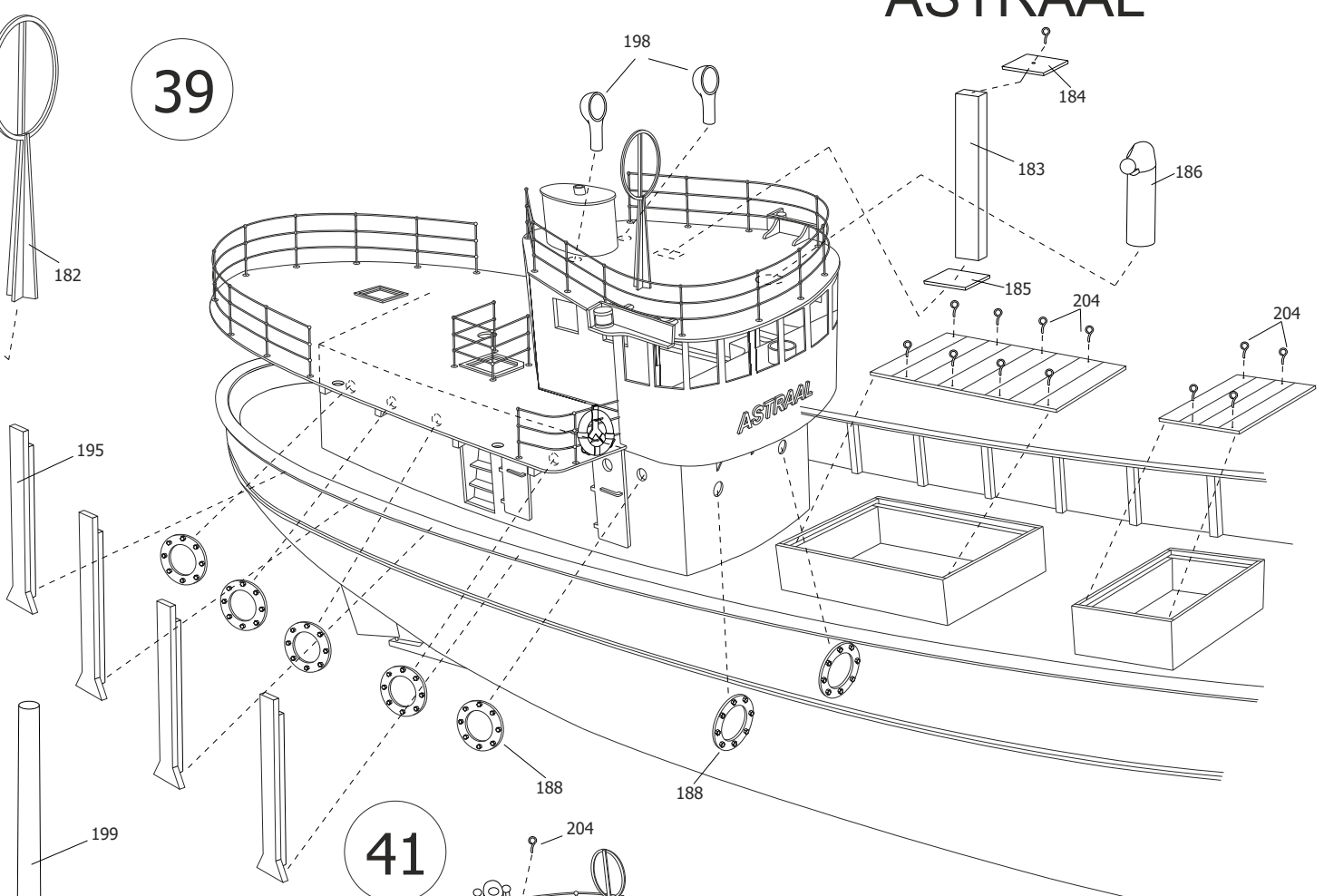


ASTRAAL

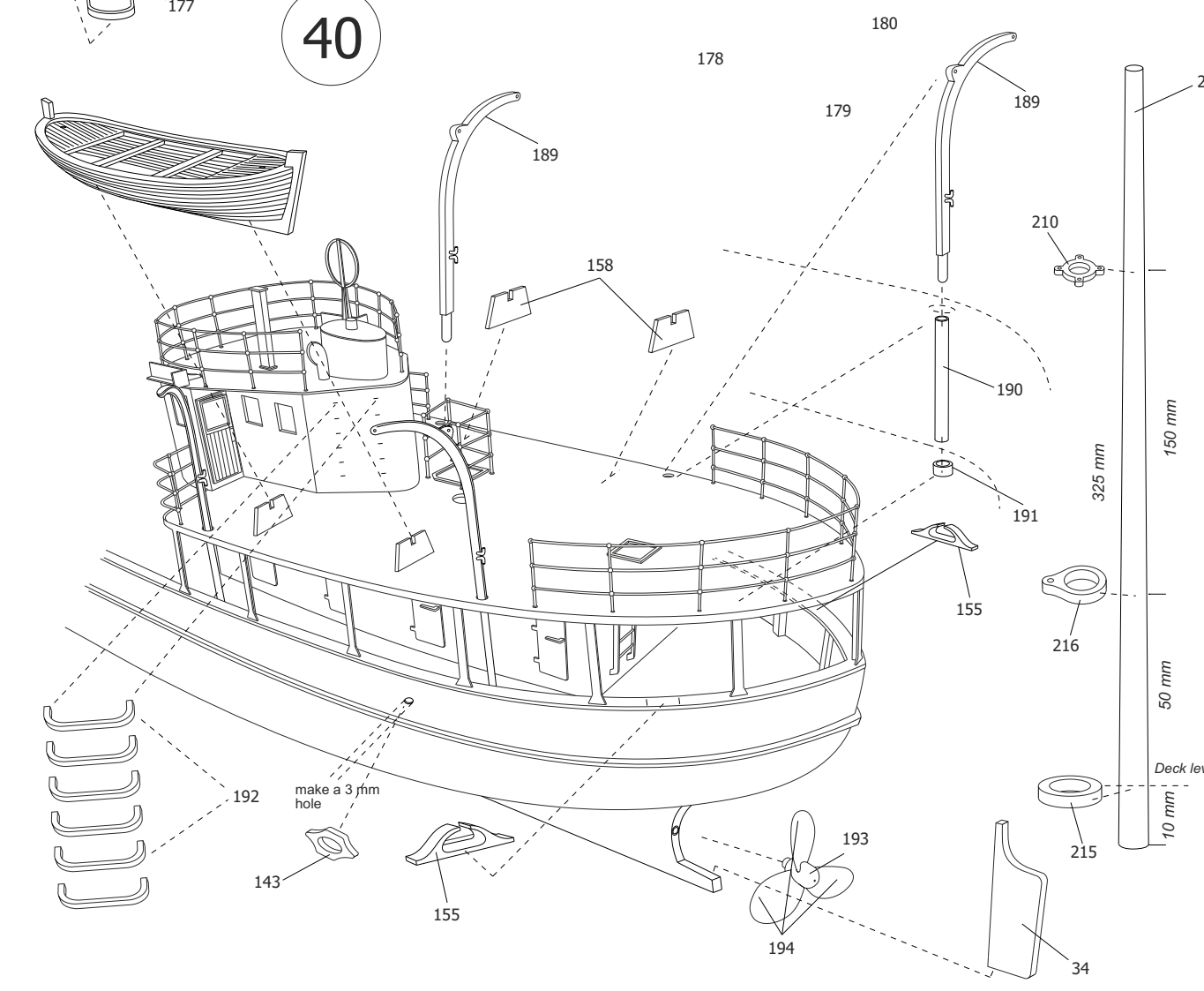
38



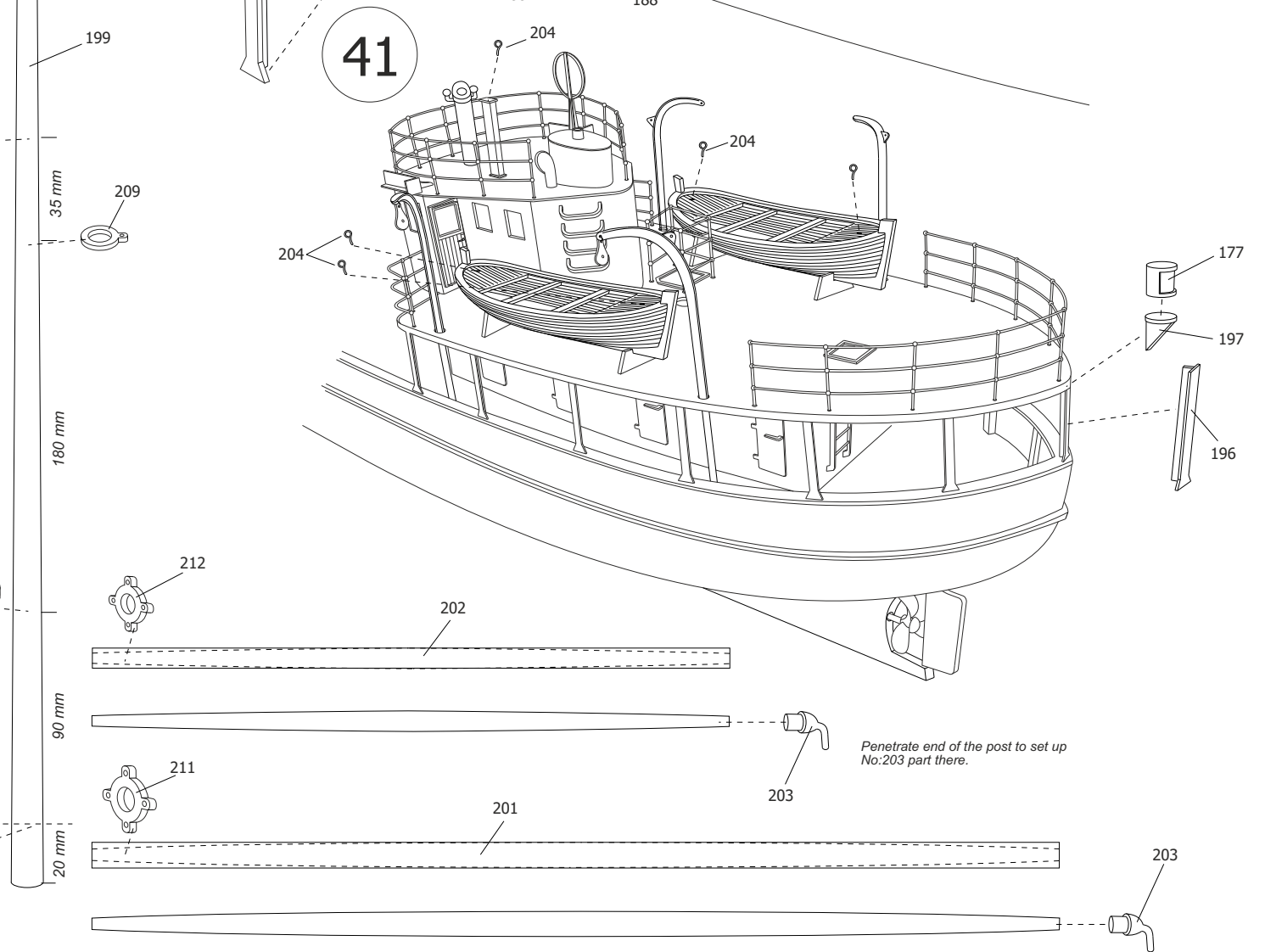
39



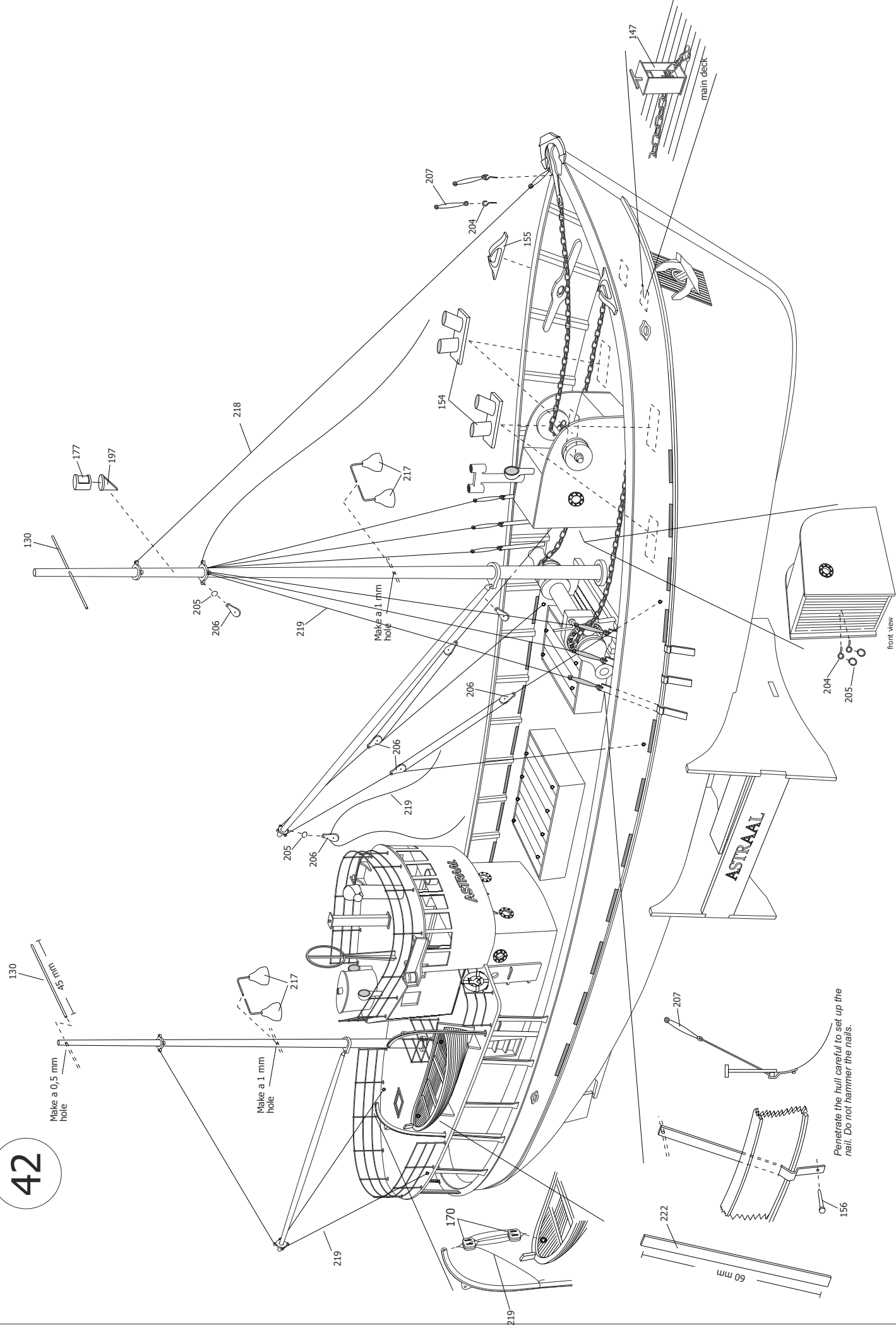
40



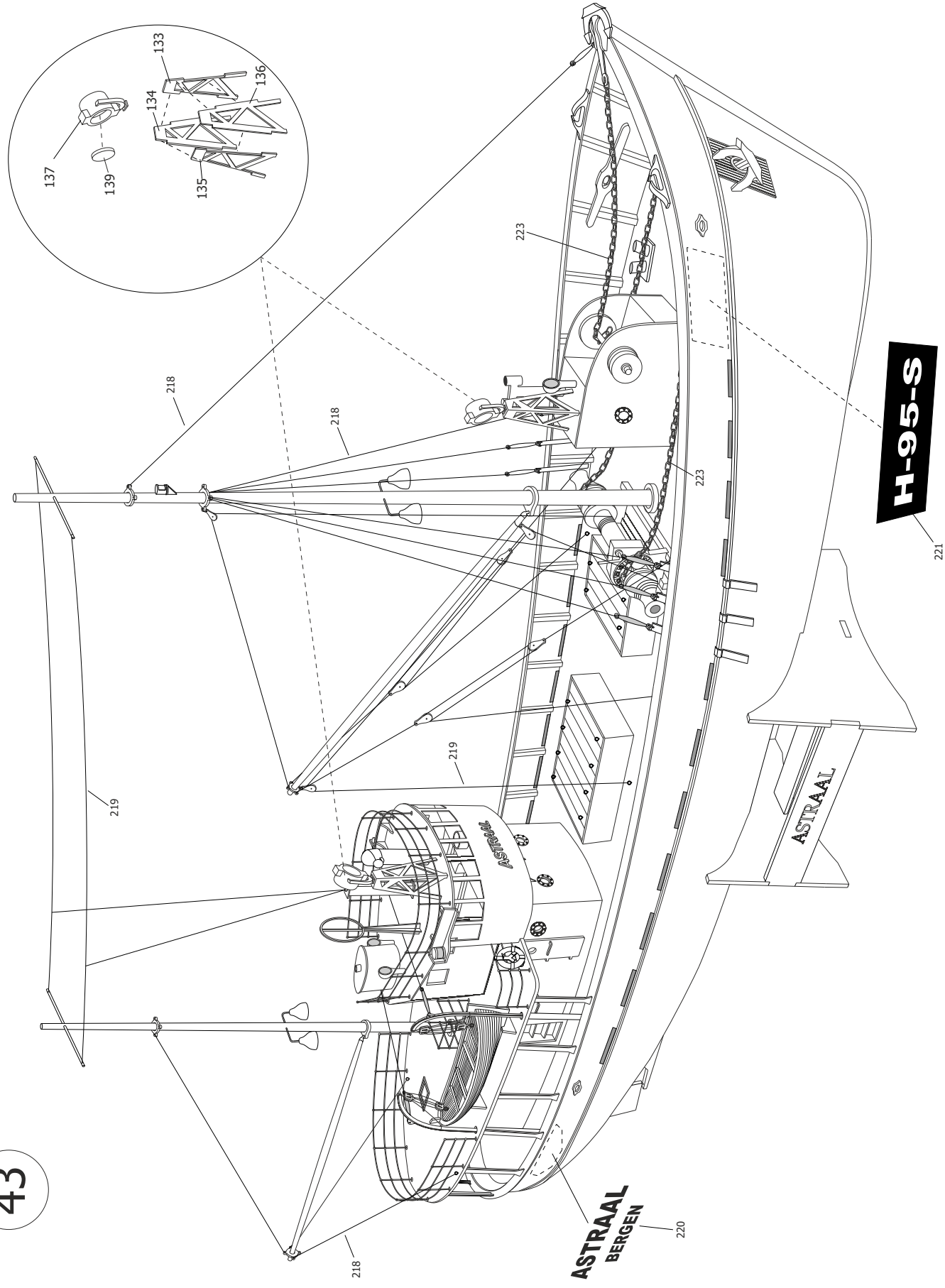
41






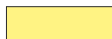



42



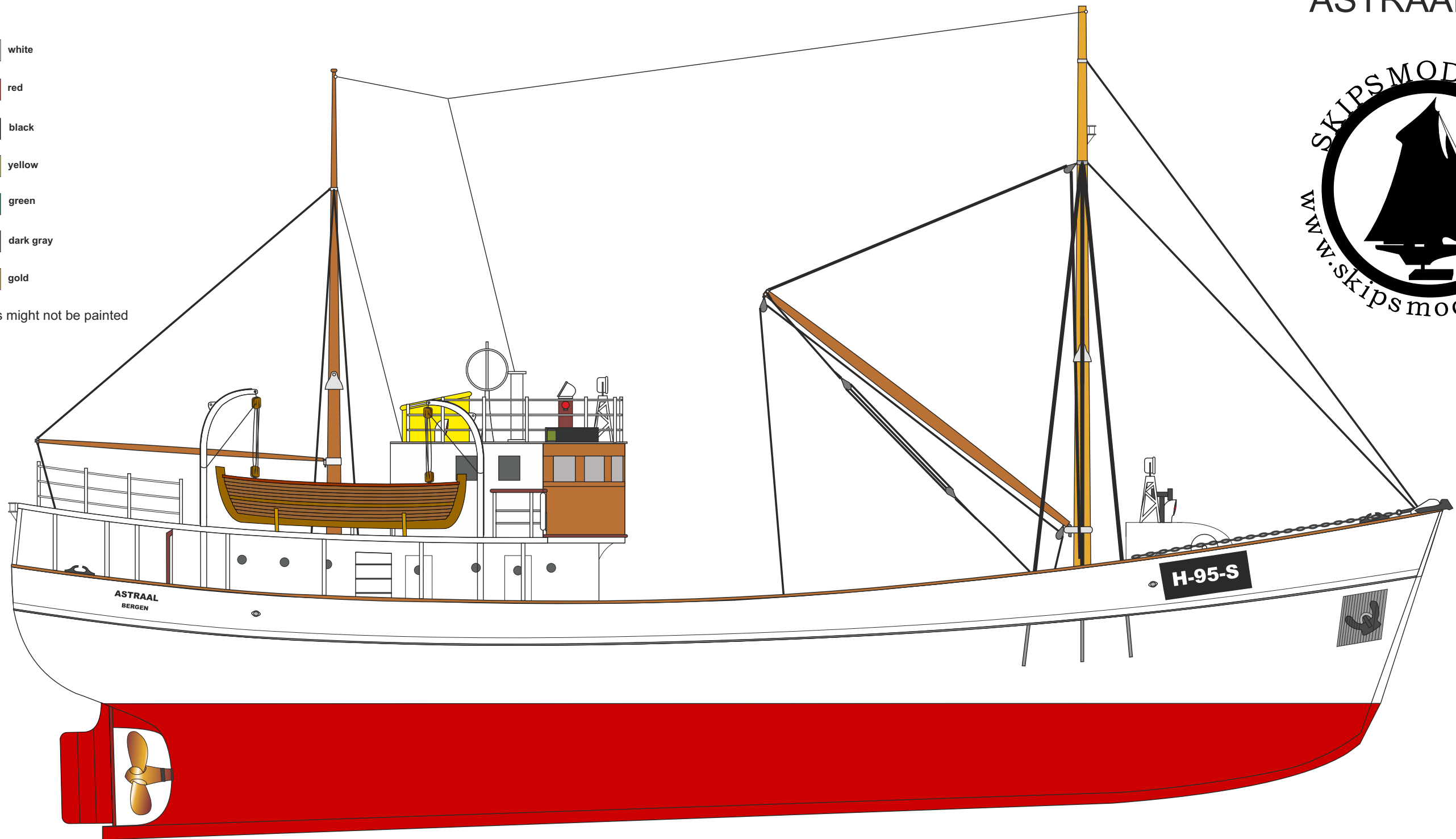
43



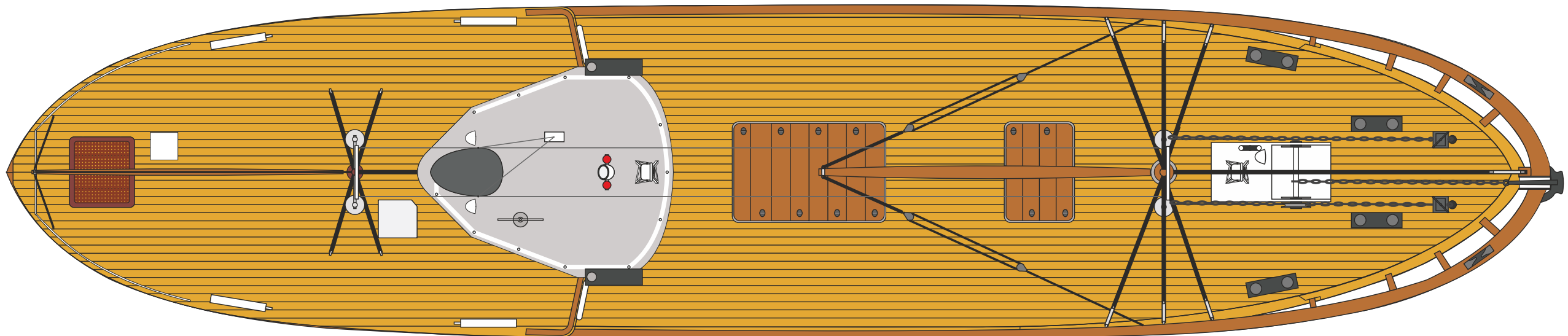
ASTRAAL

-  white
-  red
-  black
-  yellow
-  green
-  dark gray
-  gold

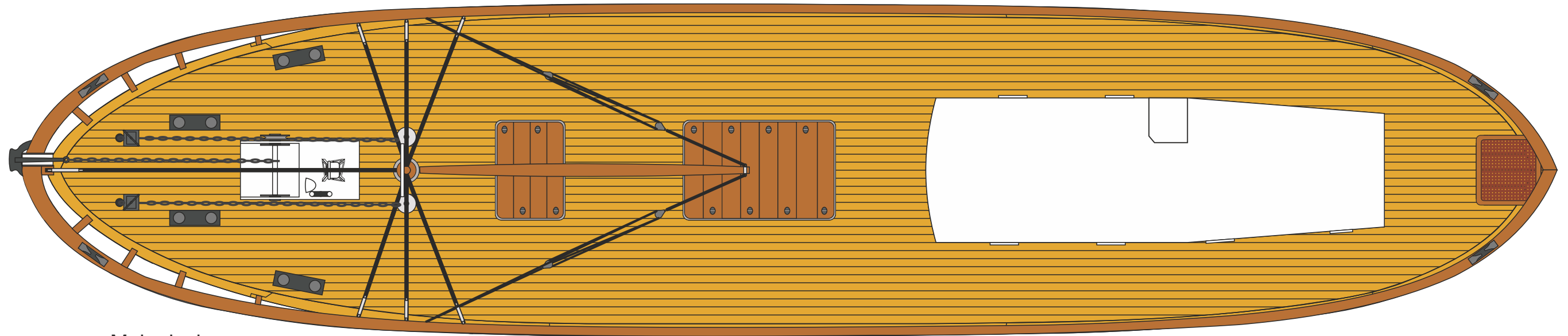
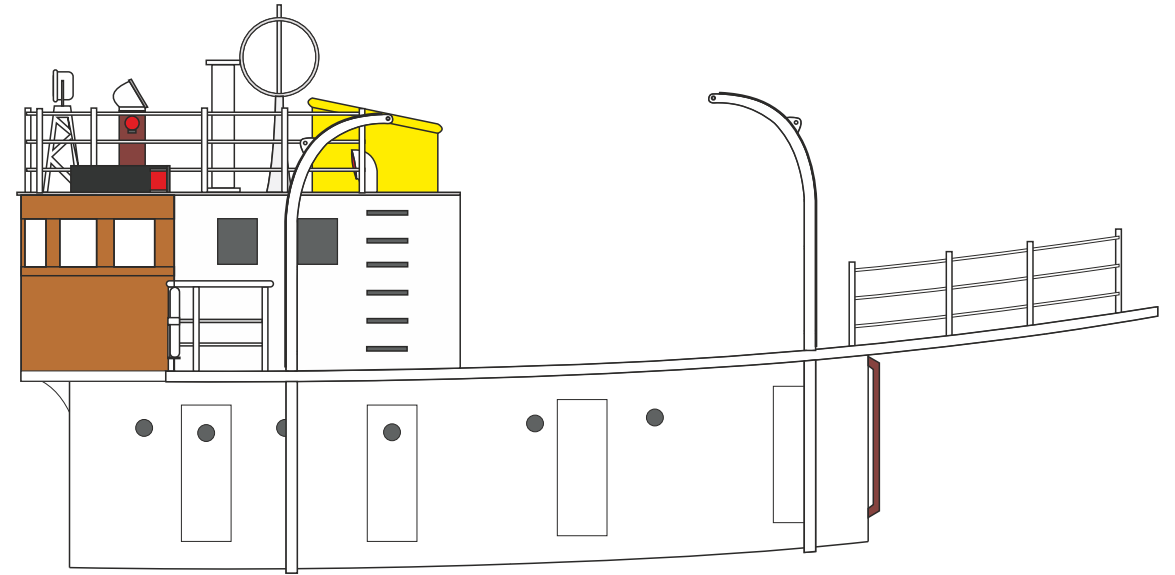
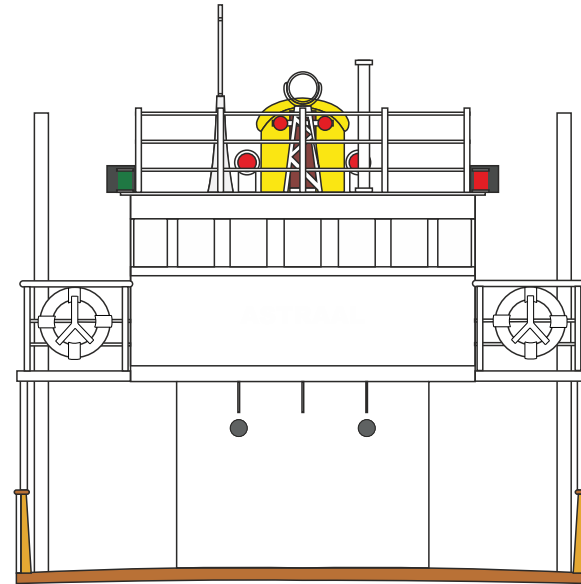
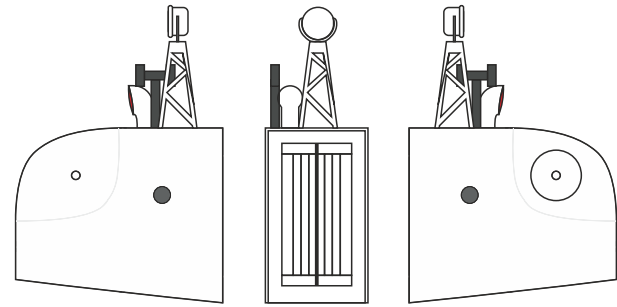
some parts might not be painted



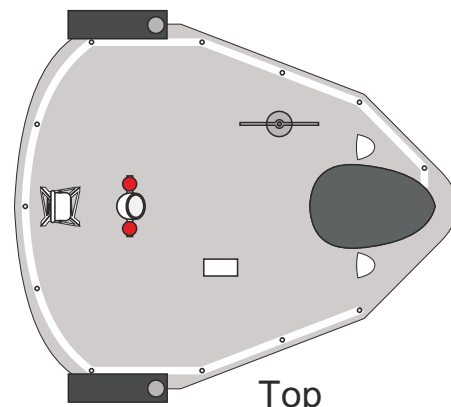
1/3 of the model scale



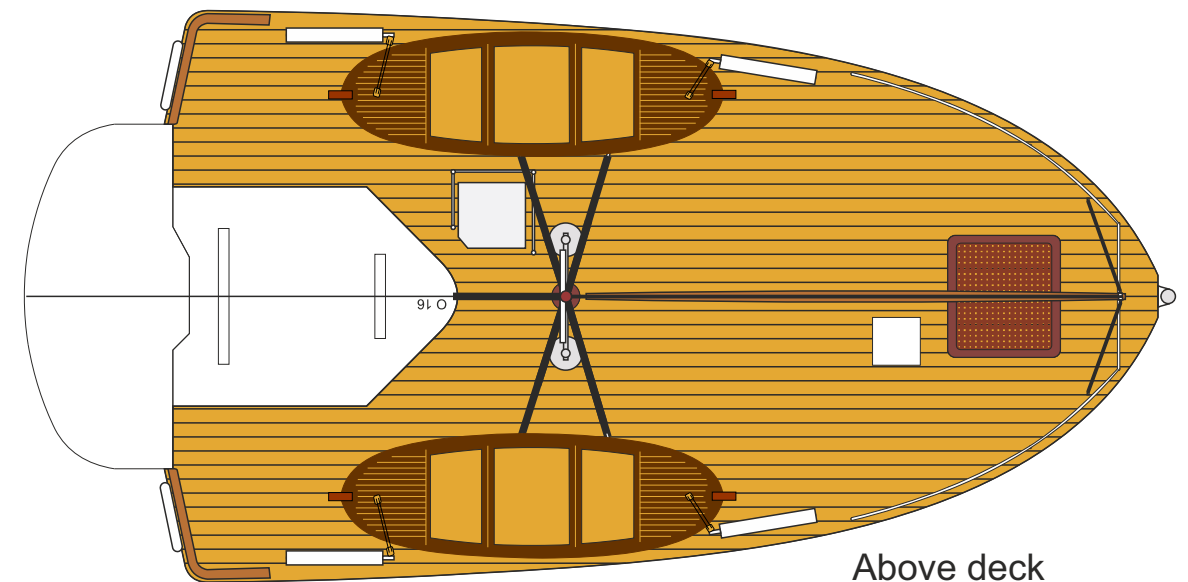
Plan A



Main deck



Top



Above deck